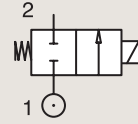


2/2

HIGH CORROSION RESISTANT VALVES  
201LG SERIES  
DIRECT OPERATED

316L STAINLESS ST.  
PIPE MOUNTING



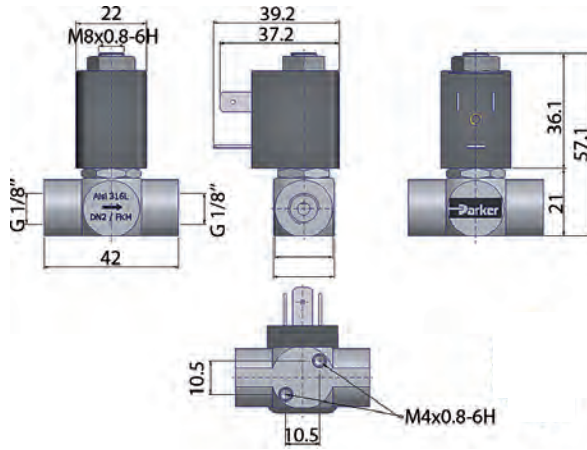
**NORMALLY CLOSED**

| Port size | Orifice Ø | Flow factors |         |          | Operating Pressure Differential |                  |        | Fluid Temp. |        | Seat Seal | Valve Ref. | Housing Ref. | Coil Ref. | Power |      | Coil Group | Dwg. No. |
|-----------|-----------|--------------|---------|----------|---------------------------------|------------------|--------|-------------|--------|-----------|------------|--------------|-----------|-------|------|------------|----------|
|           |           | Kv l/min     | KV m³/h | Qn l/min | Min bar                         | Max(MOPD) AC bar | DC bar | Min °C      | Max °C |           |            |              |           | AC W  | DC W |            |          |
| 1/8"      | 1.5       | 1            | 0.06    | -        | 0                               | 20               | 15     | -10         | 140    | FKM       | 201LG1GVG2 | -            | 481180    | 4     | 5    | 1.1/1.3    | 074      |
|           | 2.5       | 2.3          | 0.14    | -        | 0                               | 10               | 6      | -10         | 140    | FKM       | 201LG1LVG2 | -            | 481180    | 4     | 5    | 1.1/1.3    | 074      |
| 1/4"      | 1.5       | 1            | 0.06    | -        | 0                               | 20               | 15     | -10         | 140    | FKM       | 201LG2GVG2 | -            | 481180    | 4     | 5    | 1.1/1.3    | 075      |
|           | 2.5       | 2.3          | 0.14    | -        | 0                               | 10               | 6      | -10         | 140    | FKM       | 201LG2LVG2 | -            | 481180    | 4     | 5    | 1.1/1.3    | 075      |
| 3/8"      | 3         | 4.5          | 0.27    | -        | 0                               | 8                | 5      | -10         | 140    | FKM       | 201LG2NVG7 | -            | 481865    | 8     | 9    | 2.0        | 076      |
|           | 5         | 8            | 0.48    | -        | 0                               | 3                | 2      | -10         | 140    | FKM       | 201LG3SVG7 | -            | 481865    | 8     | 9    | 2.0        | 077      |
|           | 6.2       | 10           | 0.6     | -        | 0                               | 1.5              | 0.5    | -10         | 140    | FKM       | 201LG3UVG7 | -            | 481865    | 8     | 9    | 2.0        | 077      |
| 1/2"      | 5         | 8            | 0.48    | -        | 0                               | 3                | 2      | -10         | 140    | FKM       | 201LG4SVG7 | -            | 481865    | 8     | 9    | 2.0        | 078      |
|           | 6.2       | 10           | 0.6     | -        | 0                               | 1.5              | 0.5    | -10         | 140    | FKM       | 201LG4UVG7 | -            | 481865    | 8     | 9    | 2.0        | 078      |

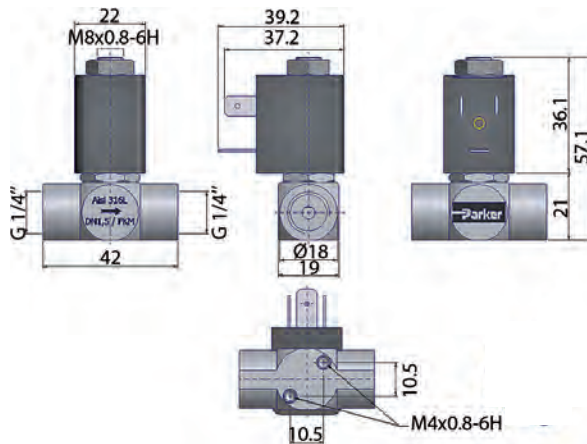
## 2 WAY VALVES



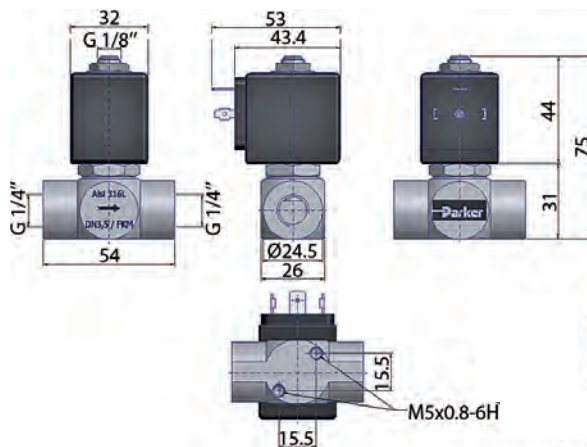
| For this page | Port size | Orifice (mm) | Kv (l/min) | MOPD (bar) | Fluid Temp (°C) |
|---------------|-----------|--------------|------------|------------|-----------------|
| From          | 1/8"      | 1.5          | 1          | 5          | -10             |
| To            | 1/2"      | 6.2          | 10         | 20         | 140             |



Drawing 074



Drawing 075



Drawing 076